

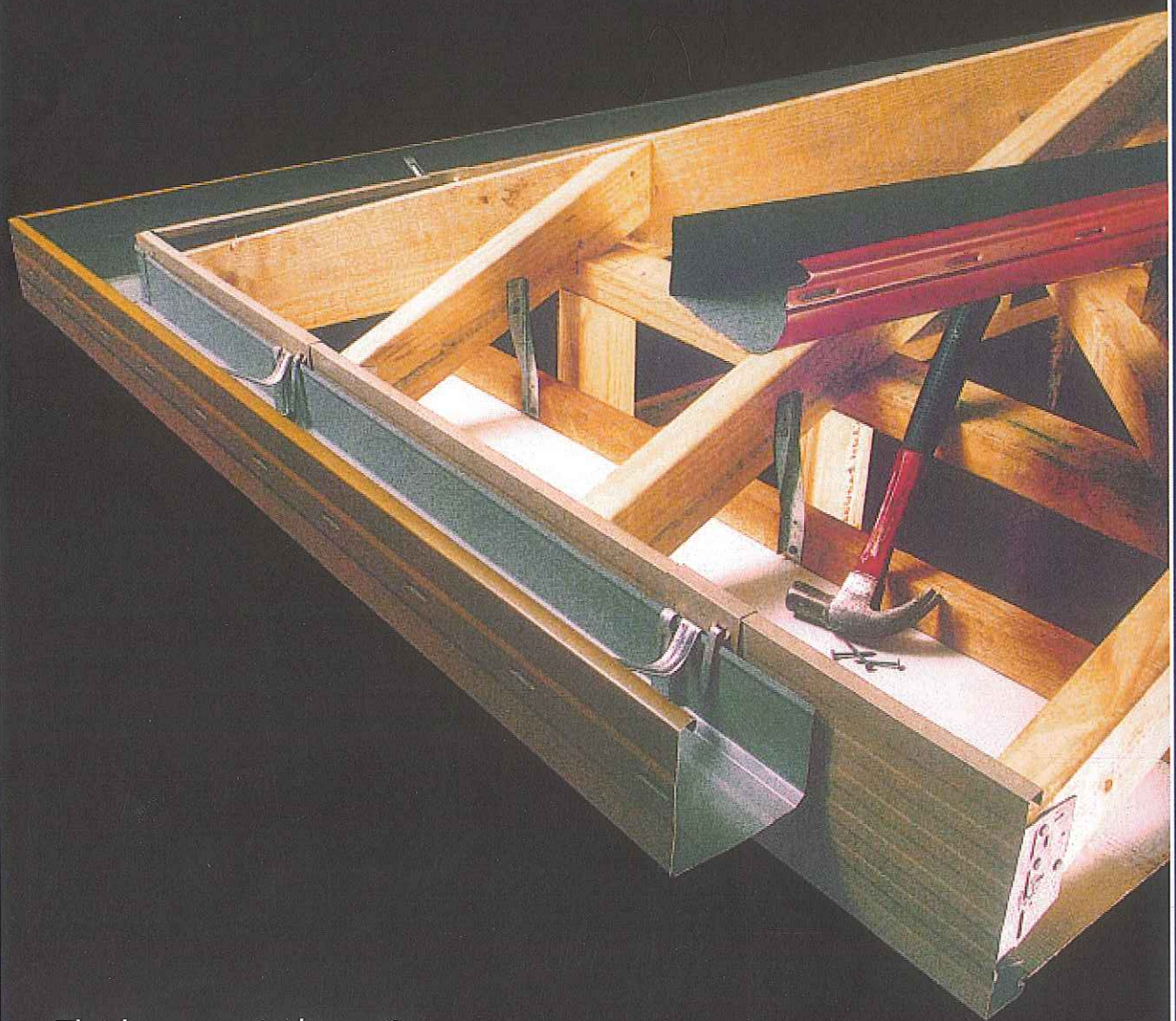
**INTERLINE
MANUFACTURING**

Fascia & Guttering
Genuine Interline™ Product

CLIPSNAP
CONTINUOUS OVERFLOW GUTTER FIXING SYSTEM

KAB 40
SAFETY EDGE

Fascia and
Gutter in
Colorbond®
steel



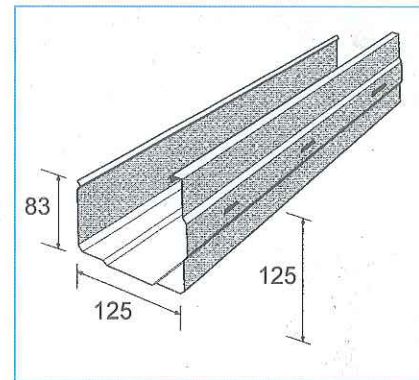
*The lower cost alternative
that gives you the ideal
combination of strength,
superior finish and low
maintenance.*

The Interline™ Fascia and guttering systems are manufactured throughout Australia using BHP Colorbond steel and Zinalume® steel.

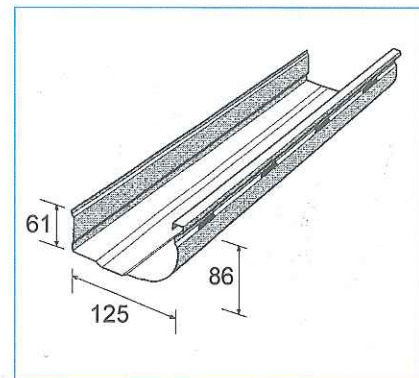
These products are used throughout Australia and have proven to be the market leader in this field.

The simple, elegant lines of the Interline™ Fascia and Guttering system make it the ideal choice for any style of home - from heritage and traditional to the most modern of contemporary designs.

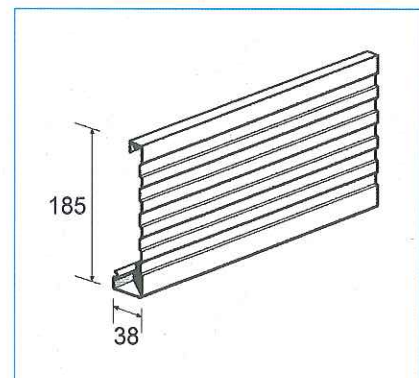
Interline™ Metal Fascia and Gutter not only looks good, its tough and durable to give years of maintenance free life.



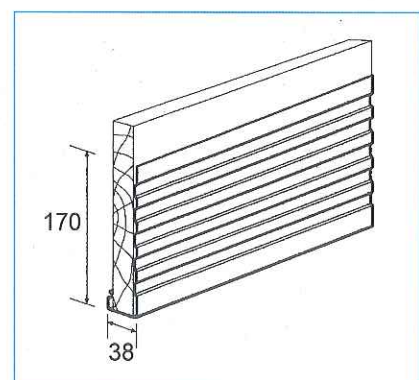
Squareline



Traditional Quad



Fascia



Fascia Cover

MATERIAL	
Specification:	G300/AZ150
Aust. Standards:	AS 1397
Mass:	Regular 1.25kg/m
Thickness:	Regular
BMT (mm)	0.55
TCT (mm)	0.62
Finish:	Zinalume® Colorbond

Installation is quick and easy using a simple fixing method, which does not require cutting or trimming of the rafters prior to installation.

Fascia Cover is also available, which can be used to reface timber fascia that has deteriorated.

Fixing fascia

1. Place plumb line on rafter from string line for back of fascia bracket.
2. Fix a bracket on rafter at either end to required level.
3. Fix fascia into bracket in each end.
4. Fix brackets into fascia, align with plumb line on rafters and nail with 3 screws.
5. Trim fascia to corners, then fix corner moulding.

Fixing gutter

1. Fix gutter bracket to fascia.
2. Fix gutter bracket at approximately 1 metre centres.
3. Place gutter onto gutter bracket against fascia.

Wind loading

When tested by the Queensland Institute of Technology for wind loading, INTERLINE™ FASCIA achieved a load factor of 1.41, which is most satisfactory and hence may be used in cyclonic areas of Australia.

Accessories

INTERLINE™ FASCIA AND GUTTER is supplied with a full range of Genuine Interline accessories to produce an aesthetically pleasing finish and make installation easy.

IM
INTERLINE
MANUFACTURING

CLIPSNAP
CONTINUOUS OVERFLOW GUTTER FIXING SYSTEM

KAB 40
SAFETY EDGE

CONTACT YOUR LOCAL INTERLINE™ MANUFACTURER